

THE WOOD BLINDS COLLECTION

Worldwide's **Premium Wood Collection** features rich, *furniture-quality stains* – the perfect choice for those special rooms where the warmth and beauty of finely-crafted wood is desired.

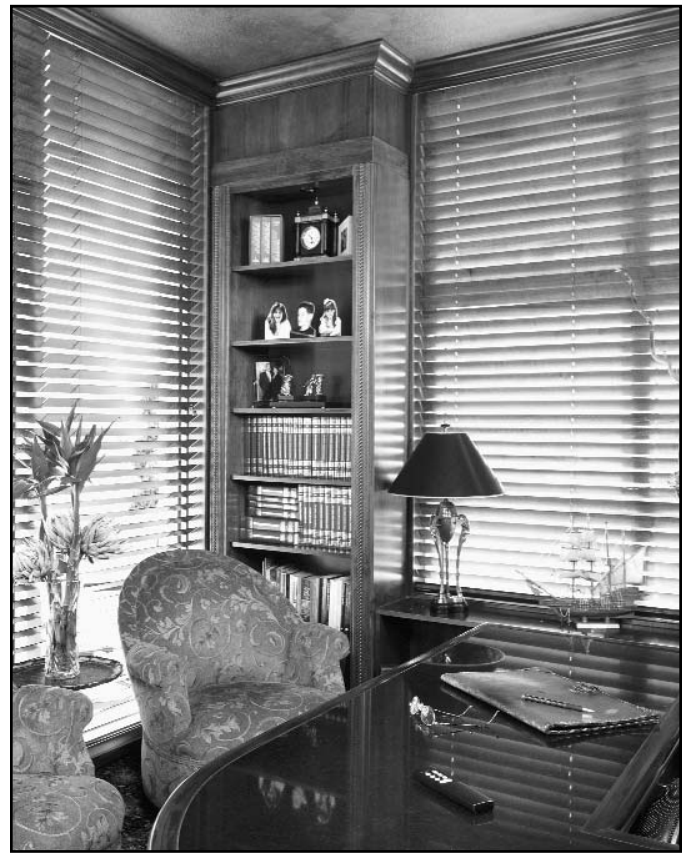
Alternatively, Worldwide's **Traditional Wood Collection** comes in a sumptuous variety of painted and stained finishes sure to enhance the look of any room in your home.

Both the *Premium* and *Traditional* versions of our natural basswood blinds feature:

- ◆ Generous, stylish 2-inch slats
- ◆ Complimentary 3 1/4-inch crown basswood valance for a rich, finished appearance
- ◆ Braided ladder construction
- ◆ Quality components to provide many years of trouble-free operation with minimal care

Options include:

- ◆ Routless slat design (no visible cord holes)
- ◆ Designer decorative tape construction to provide accent color or coordinate with your room décor
- ◆ Battery-operated tilt motorization and remote control
- ◆ Slat cut-outs to clear window obstructions



Our Premium Wood Collection is the perfect window covering where the warmth and beauty of finely crafted wood is desired.

A Note About Wood Products...

The Wood Blinds in our Premium and Traditional Collection are made from 100% quality basswoods. As with all wood products, it is normal for there to be natural variations in color, grain, texture and warpage. These variations are within industry standards as acceptable quality, and should not be considered defects in material or fabrication.

Traditional Basswood

PRICE GROUP	TRADITIONAL WOOD COLLECTION ♦ PAINTED												
	2-INCH HORIZONTAL BLINDS												
1	STANDARD RECTANGULAR												
WIDTH TO	24"	28"	32"	36"	42"	48"	54"	60"	66"	72"	84"	96"	
HEIGHT TO	30"	72	86	94	102	111	120	129	158	164	170	218	265
	36"	83	98	105	112	123	134	147	179	188	192	243	293
	42"	90	107	116	124	138	148	165	199	206	217	273	328
	48"	99	118	126	137	151	164	182	219	232	244	306	367
	54"	109	129	139	147	165	179	201	239	258	273	338	402
	60"	120	140	151	160	178	195	219	258	281	297	368	436
	66"	130	151	161	173	191	215	240	283	306	326	402	487
	73"	142	160	173	184	208	233	260	307	326	347	427	504
	78"	146	165	177	190	213	242	267	317	337	371	458	535
	86"	158	176	189	201	229	259	282	322	360	399	488	570
	96"	175	193	207	219	253	286	314	364	409	448	550	641
	108"	192	212	228	245	282	320	351	405	457	502	613	711
	120"	201	222	241	258	298	337	368	428	479	530	644	747
	126"	218	243	263	284	313	354	386	441	502	552	675	781

To price multiple blinds on one headrail:
 Price each blind individually then add surcharge below.

Multiple Blinds
 On One Headrail
 Recommended for
 sizes to the right
 of this heavy line.

OPTIONS & SURCHARGES:

- 3 1/4" Wood Crown Valance Standard No Charge
- Two Blinds on One Headrail Add \$24
- Three Blinds on One Headrail Add \$50
- Cut-Outs Add per cut-out \$24
- 1 1/2" Cloth Tape Add per blind 20%
- Decorative Trims Add per blind 50%
- Undersize Surcharge Add per blind \$24

FACTORY ALLOWANCES & DEDUCTIONS:

+ or - 1/8" variance

	INSIDE MOUNT	OUTSIDE MOUNT
Headrail	Less 1/2"	Ordered Size
Slats	Less 1/2"	Ordered Size
Valance	Less 1/8"	Plus 1 1/2"

SPECIFICATIONS:

- Headrail Size 2" x 2 1/4"
- Minimum Width net 6 1/2"
- Maximum Width (single blind) 96"
- Minimum Length 12"
- Maximum Length 126"
- Recommended Maximum Width (single blind) 72"
 (Over 72", two or three blinds on one headrail is recommended.)
- Minimum Mounting Space 1 1/8"
- Flush Mounting Space Required 3"
- Outside Mount Flat Space Required 2 1/4"
- Outside Valance Returns 2 3/4"
- Cord Tilt Standard - Wand Tilt Optional
- Blinds with widths 11 5/8" to 24" net must have split controls
- Blinds with widths 10" to 11 1/2" net require center tilt only - cord or wand
- Blinds with widths 6 1/2" to 9 7/8" net require center wand tilt only

LADDER SPACING CHART:

BLIND WIDTH (net)	NO. OF LADDERS	NO. OF CORDS
8" - 32"	2	2
32 1/8" - 56"	3	2
56 1/8" - 78"	4	4
78 1/8" - 96"	5	4

1 1/2" CLOTH TAPE COLORS		DECORATIVE TRIMS
100 White	823 Silver	321 Tempo Buff
113 Duck	627 Province Blue	483 Tempo Cream
322 Light Beige	685 Midnight Blue	235 Finesse White
323 Dark Beige	293 Bordeaux	104 Finesse Natural
302 Taupe	378 Cocoa	715 Sand Bead
430 Wheat	572 Forest	825 Cable Biscuit
334 Pecan	897 Black	815 Cable Fawn
503 Celadon		625 Crochet Cream
		1200 Desert Wave

Traditional Basswood

PRICE GROUP
2

TRADITIONAL WOOD COLLECTION
2-INCH HORIZONTAL BLINDS
 STANDARD RECTANGULAR

- ◆ TRADITIONAL STAINED
 • Natural (115) • Pine (116) • Maple (112)
 • Pecan (123) • Cherry (118) • Golden Oak (120)
 • Walnut (122) • Chestnut (119) • Mahogany (121)

WIDTH TO ►	24"	28"	32"	36"	42"	48"	54"	60"	66"	72"	84"	96"
HEIGHT TO ↑												
30"	74	89	99	106	116	124	134	165	171	177	226	276
36"	86	101	109	117	129	139	153	187	195	199	252	303
42"	95	111	120	130	143	155	172	208	214	226	284	339
48"	103	122	133	142	156	171	189	228	242	253	319	381
54"	113	135	144	154	172	187	209	247	268	284	353	417
60"	124	145	156	167	186	204	228	267	292	308	384	452
66"	136	157	169	179	198	224	249	294	320	339	417	506
73"	147	167	179	191	216	244	270	320	339	360	444	522
78"	152	172	184	197	222	251	279	329	351	386	475	555
86"	164	182	196	210	239	268	293	335	374	414	507	591
96"	182	201	215	228	263	298	325	378	425	467	573	665
108"	199	220	237	254	294	333	364	422	474	522	636	739
120"	209	230	250	268	311	351	384	445	498	551	670	776
126"	226	252	275	296	324	368	402	459	522	575	702	812

To price multiple blinds on one headrail:
 Price each blind individually then add surcharge below.

Multiple Blinds
 On One Headrail
 Recommended for
 sizes to the right
 of this heavy line.

OPTIONS & SURCHARGES:

- 3 1/4" Wood Crown Valance Standard No Charge
- Two Blinds on One Headrail Add \$24
- Three Blinds on One Headrail Add \$50
- Cut-Outs Add per cut-out \$24
- 1 1/2" Cloth Tape Add per blind 20%
- Decorative Trims Add per blind 50%
- Undersize Surcharge Add per blind \$24

FACTORY ALLOWANCES & DEDUCTIONS:

+ or - 1/8" variance

	INSIDE MOUNT	OUTSIDE MOUNT
Headrail	Less 1/2"	Ordered Size
Slats	Less 1/2"	Ordered Size
Valance	Less 1/8"	Plus 1 1/2"

LADDER SPACING CHART:

BLIND WIDTH (net)	NO. OF LADDERS	NO. OF CORDS
8" - 32"	2	2
32 1/8" - 56"	3	2
56 1/8" - 78"	4	4
78 1/8" - 96"	5	4

SPECIFICATIONS:

- Headrail Size 2" x 2 1/4"
- Minimum Width net 6 1/2"
- Maximum Width (single blind) 96"
- Minimum Length 12"
- Maximum Length 126"
- Recommended Maximum Width (single blind) 72"
 (Over 72", two or three blinds on one headrail is recommended.)
- Minimum Mounting Space 1 1/8"
- Flush Mounting Space Required 3"
- Outside Mount Flat Space Required 2 1/4"
- Outside Valance Returns 2 3/4"
- Cord Tilt Standard - Wand Tilt Optional

Blinds with widths 11 5/8" to 24" net must have split controls

Blinds with widths 10" to 11 1/2" net require center tilt only - cord or wand

Blinds with widths 6 1/2" to 9 7/8" net require center wand tilt only

1 1/2" CLOTH TAPE COLORS

100 White	823 Silver
113 Duck	627 Province Blue
322 Light Beige	685 Midnight Blue
323 Dark Beige	293 Bordeaux
302 Taupe	378 Cocoa
430 Wheat	572 Forest
334 Pecan	897 Black
503 Celadon	

DECORATIVE TRIMS

321 Tempo Buff
483 Tempo Cream
235 Finesse White
104 Finesse Natural
715 Sand Bead
825 Cable Biscuit
815 Cable Fawn
625 Crochet Cream
1200 Desert Wave

Traditional Basswood

PRICE GROUP	TRADITIONAL WOOD COLLECTION ♦ TRADITIONAL PAINTED & STAINED												
	2-INCH HORIZONTAL BLINDS • All Colors												
3	ROUTLESS												
WIDTH TO ▶	24"	28"	32"	36"	42"	48"	54"	60"	66"	72"	84"	96"	
HEIGHT TO	30"	90	108	118	127	139	151	161	198	205	212	273	332
	36"	104	122	131	141	154	166	184	224	224	241	303	366
	42"	113	134	144	156	172	186	206	250	257	271	341	409
	48"	123	147	158	171	189	205	228	275	290	304	384	459
	54"	137	161	174	184	206	224	251	298	322	341	423	502
	60"	151	175	189	200	223	244	275	322	351	371	460	545
	66"	162	189	202	215	239	269	299	353	384	408	502	608
	73"	177	200	215	231	260	293	324	385	408	432	533	630
	78"	183	206	222	237	266	302	334	395	422	464	571	669
	86"	198	219	236	251	286	323	352	403	451	498	611	712
	96"	218	242	258	275	317	357	392	455	512	561	688	801
	108"	241	265	285	305	352	400	438	507	570	628	765	888
120"	251	277	300	322	372	422	460	535	599	661	806	934	
126"	273	303	329	355	390	442	481	551	628	690	844	977	

To price multiple blinds on one headrail:
 Price each blind individually then add surcharge below.

Multiple Blinds
 On One Headrail
 Recommended for
 sizes to the right
 of this heavy line.

OPTIONS & SURCHARGES:

- 3 1/4" Wood Crown Valance Standard No Charge
- Two Blinds on One Headrail Add \$24
- Three Blinds on One Headrail Add \$50
- Cut-Outs Add per cut-out \$24
- Undersize Surcharge Add per blind \$24

FACTORY ALLOWANCES & DEDUCTIONS:

+ or - 1/8" variance

	INSIDE MOUNT	OUTSIDE MOUNT
Headrail	Less 1/2"	Ordered Size
Slats	Less 1/2"	Ordered Size
Valance	Less 1/8"	Plus 1 1/2"

LADDER SPACING CHART:

BLIND WIDTH (net)	NO. OF LADDERS	NO. OF CORDS
8" - 32"	2	2
32 1/8" - 56"	3	2
56 1/8" - 78"	4	4
78 1/8" - 96"	5	4

SPECIFICATIONS:

- Headrail Size 2" x 2 1/4"
- Minimum Width net 6 1/2"
- Maximum Width (single blind) 96"
- Minimum Length 12"
- Maximum Length 126"
- Recommended Maximum Width (single blind) 72"
 (Over 72", two or three blinds on one headrail is recommended.)
- Minimum Mounting Space 1 1/8"
- Flush Mounting Space Required 3"
- Outside Mount Flat Space Required 2 1/4"
- Outside Valance Returns 2 3/4"
- Cord Tilt Standard - Wand Tilt Optional
- Blinds with widths 11 5/8" to 24" net must have split controls
- Blinds with widths 10" to 11 1/2" net require center tilt only - cord or wand
- Blinds with widths 6 1/2" to 9 7/8" net require center wand tilt only

1 1/2" CLOTH TAPE COLORS	
100 White	823 Silver
113 Duck	627 Province Blue
322 Light Beige	685 Midnight Blue
323 Dark Beige	293 Bordeaux
302 Taupe	378 Cocoa
430 Wheat	572 Forest
334 Pecan	897 Black
503 Celadon	

DECORATIVE TRIMS
321 Tempo Buff
483 Tempo Cream
235 Finesse White
104 Finesse Natural
715 Sand Bead
825 Cable Biscuit
815 Cable Fawn
625 Crochet Cream
1200 Desert Wave

Premium Basswood

PRICE GROUP
4
PREMIUM WOOD COLLECTION
2-INCH HORIZONTAL BLINDS
 STANDARD RECTANGULAR

◆ PREMIUM STAINED

- Cinnamon Spice (201) • Cognac (202)
- Bordeaux (203) • Royal Mahogany (204)

WIDTH TO ►	24"	28"	32"	36"	42"	48"	54"	60"	66"	72"	84"	96"	
HEIGHT TO	30"	99	119	132	141	155	165	179	220	228	236	301	368
	36"	115	135	145	156	172	185	204	249	260	265	336	404
	42"	127	148	160	173	191	207	229	277	285	301	379	452
	48"	137	163	177	189	208	228	252	304	323	337	425	508
	54"	151	180	192	205	229	249	279	329	357	379	471	556
	60"	165	193	208	223	248	272	304	356	389	411	512	603
	66"	181	209	225	239	264	299	332	392	427	452	556	675
	73"	196	223	239	255	288	325	360	427	452	480	592	696
	78"	203	229	245	263	296	335	372	439	468	515	633	740
	86"	219	243	261	280	319	357	391	447	499	552	676	788
	96"	243	268	287	304	351	397	433	504	567	623	764	887
	108"	265	293	316	339	392	444	485	563	632	696	848	985
120"	279	307	333	357	415	468	512	593	664	735	893	1035	
126"	301	336	367	395	432	491	536	612	696	767	936	1083	

To price multiple blinds on one headrail:
 Price each blind individually then add surcharge below.

Multiple Blinds
 On One Headrail
 Recommended for
 sizes to the right
 of this heavy line.

OPTIONS & SURCHARGES:

- 3 1/4" Wood Crown Valance Standard No Charge
- Two Blinds on One Headrail Add \$24
- Three Blinds on One Headrail Add \$50
- Cut-Outs Add per cut-out \$24
- 1 1/2" Cloth Tape Add per blind 20%
- Decorative Trims Add per blind 50%
- Undersize Surcharge Add per blind \$24

FACTORY ALLOWANCES & DEDUCTIONS:

+ or - 1/8" variance

	INSIDE MOUNT	OUTSIDE MOUNT
Headrail	Less 1/2"	Ordered Size
Slats	Less 1/2"	Ordered Size
Valance	Less 1/8"	Plus 1 1/2"

LADDER SPACING CHART:

BLIND WIDTH (net)	NO. OF LADDERS	NO. OF CORDS
8" - 32"	2	2
32 1/8" - 56"	3	2
56 1/8" - 78"	4	4
78 1/8" - 96"	5	4

SPECIFICATIONS:

- Headrail Size 2" x 2 1/4"
- Minimum Width net 6 1/2"
- Maximum Width (single blind) 96"
- Minimum Length 12"
- Maximum Length 126"
- Recommended** Maximum Width (single blind) 72"
- (Over 72", two or three blinds on one headrail is recommended.)
- Minimum Mounting Space 1 1/8"
- Flush Mounting Space Required 3"
- Outside Mount Flat Space Required 2 1/4"
- Outside Valance Returns 2 3/4"
- Cord Tilt Standard - Wand Tilt Optional

Blinds with widths 11 5/8" to 24" net must have split controls

Blinds with widths 10" to 11 1/2" net require center tilt only - cord or wand

Blinds with widths 6 1/2" to 9 7/8" net require center wand tilt only

1 1/2" CLOTH TAPE COLORS

100 White	823 Silver
113 Duck	627 Province Blue
322 Light Beige	685 Midnight Blue
323 Dark Beige	293 Bordeaux
302 Taupe	378 Cocoa
430 Wheat	572 Forest
334 Pecan	897 Black
503 Celadon	

DECORATIVE TRIMS

321 Tempo Buff
483 Tempo Cream
235 Finesse White
104 Finesse Natural
715 Sand Bead
825 Cable Biscuit
815 Cable Fawn
625 Crochet Cream
1200 Desert Wave

Premium Basswood

PRICE GROUP
5

PREMIUM WOOD COLLECTION 2-INCH HORIZONTAL BLINDS ROUTLESS

◆ PREMIUM STAINED

- Cinnamon Spice (201) • Cognac (202)
- Bordeaux (203) • Royal Mahogany (204)

WIDTH TO ▶	24"	28"	32"	36"	42"	48"	54"	60"	66"	72"	84"	96"	
HEIGHT TO ↑	30"	119	143	159	170	186	199	215	265	275	284	363	443
	36"	138	162	175	188	207	223	246	300	313	320	405	487
	42"	153	178	193	209	230	249	276	334	344	363	456	545
	48"	165	196	214	228	251	275	304	366	389	406	512	612
	54"	182	217	231	247	276	300	336	397	431	456	567	670
	60"	199	233	251	268	299	328	366	429	469	495	617	726
	66"	218	252	271	288	318	360	400	472	514	545	670	813
	73"	236	268	288	307	347	392	434	514	545	578	713	839
	78"	244	276	296	316	357	403	448	529	564	620	763	892
	86"	263	292	315	337	384	431	471	538	601	665	814	949
	96"	292	323	345	366	422	479	522	607	683	750	920	1068
	108"	320	353	381	408	472	535	585	678	761	839	1022	1187
120"	336	369	402	431	500	564	617	715	800	885	1076	1247	
126"	363	405	442	476	520	591	646	737	839	924	1128	1304	

To price multiple blinds on one headrail:
 Price each blind individually then add surcharge below.

Multiple Blinds
 On One Headrail
 Recommended for
 sizes to the right
 of this heavy line.

OPTIONS & SURCHARGES:

- 3 1/4" Wood Crown Valance Standard No Charge
- Two Blinds on One Headrail Add \$24
- Three Blinds on One Headrail Add \$50
- Cut-Outs Add per cut-out \$24
- Undersize Surcharge Add per blind \$24

FACTORY ALLOWANCES & DEDUCTIONS:

+ or - 1/8" variance

	INSIDE MOUNT	OUTSIDE MOUNT
Headrail	Less 1/2"	Ordered Size
Slats	Less 1/2"	Ordered Size
Valance	Less 1/8"	Plus 1 1/2"

LADDER SPACING CHART:

BLIND WIDTH (net)	NO. OF LADDERS	NO. OF CORDS
8" - 32"	2	2
32 1/8" - 56"	3	2
56 1/8" - 78"	4	4
78 1/8" - 96"	5	4

SPECIFICATIONS:

- Headrail Size 2" x 2 1/4"
- Minimum Width net 6 1/2"
- Maximum Width (single blind) 96"
- Minimum Length 12"
- Maximum Length 126"
- Recommended Maximum Width (single blind) 72"
 (Over 72", two or three blinds on one headrail is recommended.)
- Minimum Mounting Space 1 1/8"
- Flush Mounting Space Required 3"
- Outside Mount Flat Space Required 2 1/4"
- Outside Valance Returns 2 3/4"
- Cord Tilt Standard - Wand Tilt Optional
- Blinds with widths 11 5/8" to 24" net must have split controls
- Blinds with widths 10" to 11 1/2" net require center tilt only - cord or wand
- Blinds with widths 6 1/2" to 9 7/8" net require center wand tilt only

1 1/2" CLOTH TAPE COLORS

100 White	823 Silver
113 Duck	627 Province Blue
322 Light Beige	685 Midnight Blue
323 Dark Beige	293 Bordeaux
302 Taupe	378 Cocoa
430 Wheat	572 Forest
334 Pecan	897 Black
503 Celadon	

DECORATIVE TRIMS

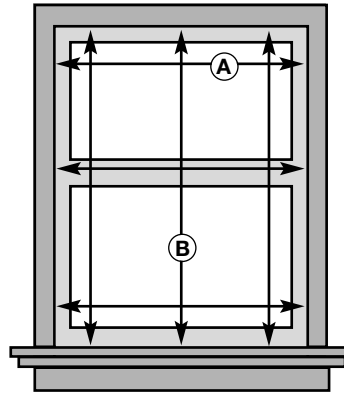
321 Tempo Buff
483 Tempo Cream
235 Finesse White
104 Finesse Natural
715 Sand Bead
825 Cable Biscuit
815 Cable Fawn
625 Crochet Cream
1200 Desert Wave

MEASURING GUIDELINES

Accurate measurements are essential, for both correct pricing and proper fit. Use only a hard-edged ruler or steel tape, never a cloth tape. For inside mounts, width measurements should be rounded down to the nearest 1/8" to prevent blind from binding against the window casing.

INSIDE MOUNTING (IB)

- For **width (A)**, measure across the window casing from one inside edge to the other in three places, top, middle, and bottom. Record the smallest width rounded down to the nearest 1/8".
- For **Length (B)**, measure the inside area from the top inside edge down to the top of the sill in three places, left, middle and right. Record the shortest length rounded up to the nearest 1/8".
- The factory will make all the necessary deductions for inside mount.

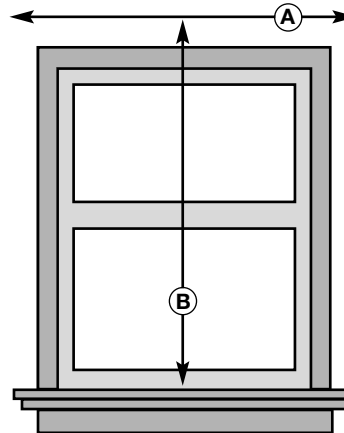


INSIDE BRACKET MOUNTING REQUIREMENTS:

- Minimum Depth of Mounting Surface Required:..... 1 1/8"
- Minimum Depth Required for Flush Mount:..... 3"

OUTSIDE MOUNTING (OB)

- For **width (A)**, measure from one edge of the casing to the other, then add a minimum of 4" (2" each side), for blind overlap. Record the measurement rounded up to the nearest 1/8".
- For **Length (B)**, measure from the top of the window sill up to the desired top of the blind. Again, record the measurements rounded up to the nearest 1/8".
- Outside mounted blinds are fabricated to order dimensions.

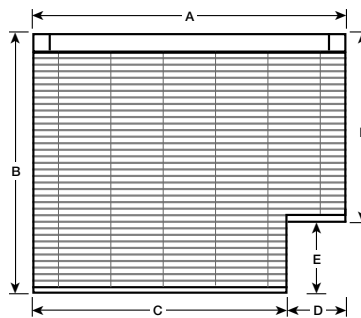


OUTSIDE BRACKET MOUNTING REQUIREMENTS:

- Minimum Mounting Surface Required:..... 2 1/4" x 1"
- Minimum Mounting Surface Required when using an Extension Bracket:..... 1 1/8" x 1 5/16"

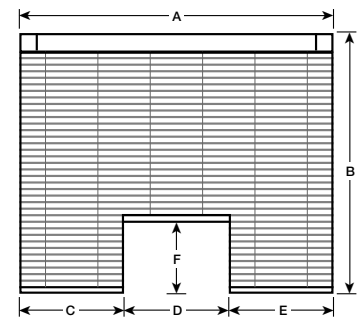
CUT-OUTS:

Cut-out blinds have rectangular areas removed from the blind to avoid obstructions (such as an air-conditioner). Cut-outs may be either from one of the bottom corners or from the bottom middle of the blind. While a template is not required, when ordering a cut-out blind, a diagram of the blind with all dimensions noted must be included.



SIDE CUT-OUT:

- A - Overall Width of Blind
- B - Overall Length of Blind
- C - Bottom Width of Blind
- D - Width of Cut-Out
- E - Height of Cut-Out
- F - Length of Shorter Side



CENTER CUT-OUT:

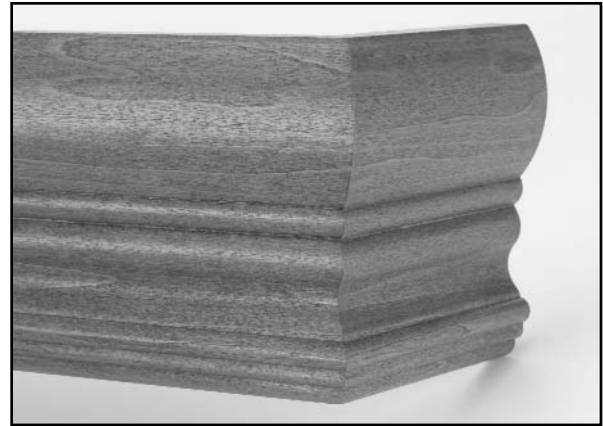
- A - Overall Width of Blind
- B - Overall Length of Blind
- C - Bottom Left Side
- D - Width of Cut-Out
- E - Bottom Right Side
- F - Height of Cut-Out

3 1/4-INCH WOOD CROWN VALANCE

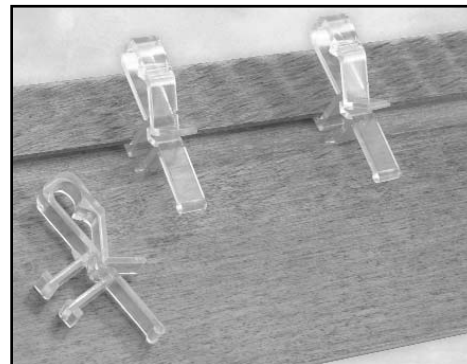
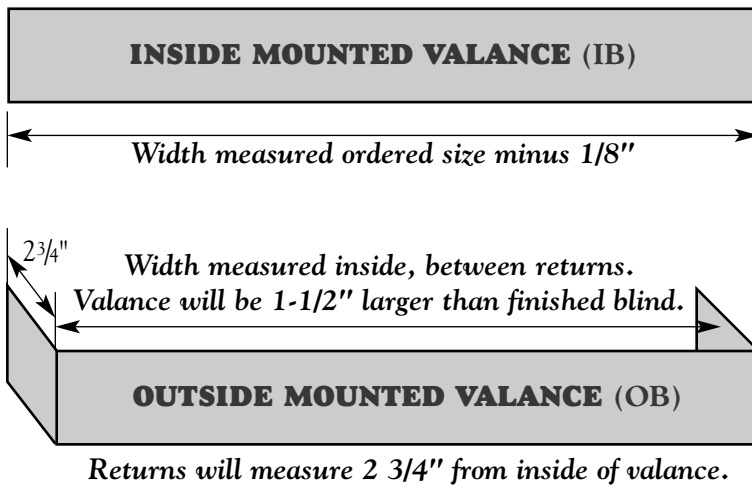
The 3 1/4-inch Wood Crown Valance is standard on all basswood blinds at no additional charge.

MEASURING GUIDELINES FOR INSIDE MOUNTED BLINDS WITH OUTSIDE MOUNTED VALANCES

- ❶ It is recommended to add 1-1/2" to ordered size for all Wood Crown Valance options.
- ❷ The factory measures the face of the valance for width. All returns are measured from the face of the valance front to the back.



Our Premium & Traditional Wood Blinds include at no charge a 3 1/4-inch Wood Crown Valance, shown here as an outside mount with standard returns.



Install your valance using the above hidden valance clip.

CARE & CLEANING

ROUTINE CLEANING

Premium and Traditional Wood Blinds are easy to care for. Occasional dusting with a soft, clean cloth, chemically treated dust cloth or dusting mitt will keep blinds looking new. They may also be gently cleaned with a soft, damp cloth, or low-suction vacuumed with a brush attachment.

WARRANTY

LIFETIME LIMITED WARRANTY

Premium and Traditional Wood Blinds carry a lifetime limited warranty that covers the blinds for as long as the original retail purchaser owns them, provided that the blinds were properly installed. It's the customer's assurance of satisfaction and quality.

