

**THE VINYL HORIZONTAL BLINDS
COLLECTION**

Worldwide's selection of 2-inch vinyl horizontal blinds offers an extensive assortment of rich patterns and colors sure to enhance any decor. Beautiful, yet durable, these blinds sport a host of attractive features:

- ◆ 2-inch slat style provides dramatic look to windows
- ◆ UV resistant materials prevent fading
- ◆ Strong and durable for years of care-free operation
- ◆ Minimal care keeps blinds looking like new

2" Premium PVC Blinds

- ◆ Vast selection of textures, patterns and colors
- ◆ All styles available in matching 3¹/₂" vertical blinds
- ◆ Matching cloth tape ladders available



Premium 2-Inch Vinyl
PRICE CHART INDEX
2-INCH PREMIUM PVC HORIZONTAL BLINDS

PATTERN	PRICE GROUP	PATTERN	PRICE GROUP	PATTERN	PRICE GROUP
Beckley	P3	Madeira	P4	Shannon	P3
Cadiz	P2	Monaco	P4	Standard II	P1
Cala	P2	Natural Weave	P3	Velvet	P4
Fresno	P4	Riva	P2		

2-INCH PREMIUM PVC COLOR CHART

PRICE CHART P1		Off-White CZ2001	White BK2501	Off-White FR2051
		White CZ2000	NATURAL WEAVE	White FR2050
STANDARD II		CALA	Blonde NW2002	MADEIRA
CURVED		Bone CA2001	Grain NW2003	Beige MD2067
Aspen Green JD2064		Chalk CA2000	Linen NW2001	Gray MD2063
Beige JD2021		Claret CA2008	Nutmeg NW2006	Off-White MD2061
Bright White JD2002		Husk CA2002	Sage NW2005	White MD2060
Buttermilk JD2024		Ocean CA2003	Sunset NW2004	MONACO
Ermine JD2023		Sandstone CA2007	SHANNON	Navajo MN2013
Glademist JD2026		RIVA	Alabaster SN2531	Pale Moon MN2014
Off White JD2011		Camel RI2002	Chenille SN2533	Pebble MN2017
Polar JD2022		Frost RI2000	Fawn SN2534	Stone MN2011
Sand JD2063		Pearl RI2001	Gray SN2536	VELVET
Smokestone JD2025		PRICE CHART P3	Linen SN2532	Kashmir VE2002
PRICE CHART P2		BECKLEY	White SN2530	Polar VE2000
CADIZ		Alabaster BK2502	PRICE CHART P4	Soapstone VE2001
Beige CZ2002		Almond BK2503	FRESNO	
Goldtone CZ2007		Chenille BK2504	Beige FR2054	
Gray CZ2003		Fawn BK2510	Gray FR2053	

Premium 2-Inch Vinyl

 PRICE GROUP
P1
**2-INCH PREMIUM PVC
 HORIZONTAL BLINDS**
 STANDARD RECTANGULAR

 ◆ SOLID COLORS
 • Standard II

WIDTH TO	23"	26"	29"	32"	36"	40"	44"	48"	52"	57"	62"	67"	72"	82"	92"	102"
42"	52	55	58	63	69	76	82	87	94	106	112	120	126	142	157	204
48"	55	59	65	68	78	83	88	96	100	116	124	129	140	157	172	220
54"	58	65	69	76	84	92	98	102	111	125	135	142	152	172	189	235
60"	64	68	73	80	88	98	106	113	121	135	144	154	164	184	204	251
66"	68	74	80	86	97	105	111	121	127	144	154	165	177	198	220	265
72"	73	79	85	92	102	111	121	127	145	154	167	178	189	213	235	281
78"	76	83	88	98	108	120	127	138	156	164	177	189	199	226	251	297
84"	82	87	95	102	116	125	137	144	164	174	187	199	213	240	265	315
90"	85	93	100	108	122	135	143	154	172	183	198	211	224	254	281	334
96"	88	98	107	115	127	140	152	163	183	195	209	222	237	267	297	352
102"	94	106	116	124	137	149	162	174	196	207	222	236	251	281	315	369
108"	98	114	125	134	145	158	172	185	208	220	235	249	264	295	334	388
114"	102	122	135	142	155	167	182	197	221	233	247	263	278	308	352	411
120"	107	129	143	152	164	177	193	208	234	244	259	277	292	322	369	540
126"	112	138	153	161	173	185	202	220	246	257	272	291	305	336	388	682

Multiple Blinds On One Headrail Recommended for sizes to the right of this heavy line.

STANDARD OPTIONS:

Matching 2-Slat Valance Standard No Charge
 Cord Tilt Standard, Wand Tilt, if specified No Charge
 Hold Down or Extension Brackets, if specified ... No Charge

SURCHARGE OPTIONS: (Net Charge)

Two Blinds on One Headrail Add \$24
 Three Blinds on One Headrail Add \$50
 Striping Add per color per blind 15%
 Side Cut-Outs Add per cut-out \$24
 Matching Cloth Tape Surcharge Add upcharge of 20%

**FACTORY ALLOWANCES
 & DEDUCTIONS:**

+ or - 1/8" variance	INSIDE MOUNT	OUTSIDE MOUNT
Headrail	Less 1/2"	Ordered Size
Slats	Less 1/2"	Ordered Size
Valance	Less 1/8"	Plus 1 1/2"

SPECIFICATIONS:

Minimum Width (outside mount) 14"
Recommended Maximum Width (single blind) 72"
 (Over 72", two or three blinds on one headrail is recommended.)
 Maximum Width (outside mount) (multiple blinds) 102"
 Minimum Length 6"
 Maximum Length 126"
 Minimum Mounting Space 1 1/8"
 Flush Mounting Space Required 3"
 Outside Mount Flat Space Required 2 1/4"
 Outside Valance Returns 2 7/8"
 Average Weight per Blind (approx) ... per square foot 1.2 lbs.
 Blinds with widths less than 22" must have split controls.

**1 1/2" CLOTH TAPE
 COLORS**

100 White	823 Silver
113 Duck	627 Province Blue
322 Light Beige	685 Midnight Blue
323 Dark Beige	293 Bordeaux
302 Taupe	378 Cocoa
430 Wheat	572 Forest
334 Pecan	897 Black
503 Celadon	

Premium 2-Inch Vinyl

PRICE GROUP
P2
**2-INCH PREMIUM PVC
 HORIZONTAL BLINDS**
 STANDARD RECTANGULAR

 ◆ PATTERNS
 • Cadiz • Cala • Riva

WIDTH TO	23"	26"	29"	32"	36"	40"	44"	48"	52"	57"	62"	67"	72"	82"	92"	102"
42"	78	81	86	92	96	104	113	121	128	145	154	164	174	196	216	280
48"	81	86	97	101	107	114	122	133	138	159	171	179	193	216	237	301
54"	85	96	102	108	116	125	135	141	152	172	184	196	208	237	259	322
60"	95	100	107	113	122	135	145	155	166	184	199	212	225	254	280	344
66"	100	108	117	123	134	144	152	166	176	199	212	226	242	272	301	364
72"	106	114	125	133	141	152	166	176	201	212	229	244	259	293	322	386
78"	109	120	129	140	149	164	176	189	214	225	242	259	275	312	344	433
84"	119	126	137	149	159	172	187	199	225	239	258	275	293	329	364	479
90"	124	133	145	158	167	184	197	212	237	252	272	289	308	349	386	525
96"	128	141	154	169	183	202	218	235	265	282	303	322	357	388	433	572
102"	135	152	164	181	195	222	239	258	295	314	335	356	407	427	479	619
108"	140	162	174	193	206	241	261	282	324	346	366	391	457	467	525	665
114"	145	172	184	204	218	261	282	306	354	378	398	424	507	518	572	767
120"	152	182	195	215	228	280	304	329	383	409	429	458	557	547	619	881
126"	157	193	205	226	240	299	325	354	413	441	462	493	607	587	665	995

Multiple Blinds On One Headrail Recommended for sizes to the right of this heavy line.

STANDARD OPTIONS:

Matching 2-Slat Valance Standard No Charge
 Cord Tilt Standard, Wand Tilt, if specified No Charge
 Hold Down or Extension Brackets, if specified ... No Charge

SURCHARGE OPTIONS: (Net Charge)

Two Blinds on One Headrail Add \$24
 Three Blinds on One Headrail Add \$50
 Striping Add per color per blind 15%
 Side Cut-Outs Add per cut-out \$24
 Matching Cloth Tape Surcharge Add upcharge of 20%

FACTORY ALLOWANCES & DEDUCTIONS:

+ or - 1/8" variance	INSIDE MOUNT	OUTSIDE MOUNT
Headrail	Less 1/2"	Ordered Size
Slats	Less 1/2"	Ordered Size
Valance	Less 1/8"	Plus 1 1/2"

SPECIFICATIONS:

Minimum Width (outside mount) 14"
Recommended Maximum Width (single blind) 72"
 (Over 72", two or three blinds on one headrail is recommended.)
 Maximum Width (outside mount) (multiple blinds) 102"
 Minimum Length 6"
 Maximum Length 126"
 Minimum Mounting Space 1 1/8"
 Flush Mounting Space Required 3"
 Outside Mount Flat Space Required 2 1/4"
 Outside Valance Returns 2 7/8"
 Average Weight per Blind (approx) ... per square foot 1.2 lbs.
 Blinds with widths less than 22" must have split controls.

1 1/2" CLOTH TAPE COLORS

100 White	823 Silver
113 Duck	627 Province Blue
322 Light Beige	685 Midnight Blue
323 Dark Beige	293 Bordeaux
302 Taupe	378 Cocoa
430 Wheat	572 Forest
334 Pecan	897 Black
503 Celadon	

Premium 2-Inch Vinyl

 PRICE GROUP
P3
**2-INCH PREMIUM PVC
 HORIZONTAL BLINDS**
 STANDARD RECTANGULAR

◆ PATTERNS

• Beckley • Natural Weave • Shannon

WIDTH TO	23"	26"	29"	32"	36"	40"	44"	48"	52"	57"	62"	67"	72"	82"	92"	102"
42"	91	96	102	107	113	122	133	142	152	171	181	194	205	229	254	329
48"	96	102	114	119	125	135	143	155	162	187	200	209	226	254	278	355
54"	100	113	121	127	137	145	158	166	179	202	218	229	244	278	306	379
60"	111	117	125	133	143	158	171	182	195	218	234	248	265	298	329	405
66"	117	127	138	143	157	169	179	195	206	234	248	267	285	320	355	428
72"	124	135	147	156	166	179	195	206	238	248	271	286	306	344	379	455
78"	128	141	153	164	176	194	206	223	253	265	285	306	322	366	405	523
84"	139	149	161	176	187	202	221	234	265	282	304	322	344	388	428	592
90"	145	156	171	185	197	218	233	248	278	296	320	340	363	411	455	660
96"	151	166	181	199	216	238	256	277	312	332	356	378	404	456	523	727
102"	156	178	193	214	231	259	281	306	347	367	394	417	443	503	592	796
108"	162	189	204	228	246	281	306	336	382	404	432	455	483	549	660	864
114"	167	200	215	243	261	303	332	365	418	440	468	494	523	596	727	978
120"	173	212	226	258	276	324	356	395	453	477	506	533	563	642	796	1092
126"	179	223	238	273	291	346	381	424	488	513	543	571	603	689	864	1205

Multiple Blinds On One Headrail Recommended for sizes to the right of this heavy line.

STANDARD OPTIONS:

Matching 2-Slat Valance Standard No Charge
 Cord Tilt Standard, Wand Tilt, if specified No Charge
 Hold Down or Extension Brackets, if specified ... No Charge

SURCHARGE OPTIONS: (Net Charge)

Two Blinds on One Headrail Add \$24
 Three Blinds on One Headrail Add \$50
 Striping Add per color per blind 15%
 Side Cut-Outs Add per cut-out \$24
 Matching Cloth Tape Surcharge Add upcharge of 20%

**FACTORY ALLOWANCES
 & DEDUCTIONS:**

+ or - 1/8" variance

	INSIDE MOUNT	OUTSIDE MOUNT
Headrail	Less 1/2"	Ordered Size
Slats	Less 1/2"	Ordered Size
Valance	Less 1/8"	Plus 1 1/2"

SPECIFICATIONS:

Minimum Width (outside mount) 14"
Recommended Maximum Width (single blind) 72"
 (Over 72", two or three blinds on one headrail is recommended.)
 Maximum Width (outside mount) (multiple blinds) 102"
 Minimum Length 6"
 Maximum Length 126"
 Minimum Mounting Space 1 1/8"
 Flush Mounting Space Required 3"
 Outside Mount Flat Space Required 2 1/4"
 Outside Valance Returns 2 7/8"
 Average Weight per Blind (approx) ... per square foot 1.2 lbs.
 Blinds with widths less than 22" must have split controls.

**1 1/2" CLOTH TAPE
 COLORS**

100 White	823 Silver
113 Duck	627 Province Blue
322 Light Beige	685 Midnight Blue
323 Dark Beige	293 Bordeaux
302 Taupe	378 Cocoa
430 Wheat	572 Forest
334 Pecan	897 Black
503 Celadon	

Premium 2-Inch Vinyl

PRICE GROUP
P4
**2-INCH PREMIUM PVC
 HORIZONTAL BLINDS**
 STANDARD RECTANGULAR

◆ PATTERNS

• Fresno • Madeira • Monaco • Velvet

WIDTH TO	23"	26"	29"	32"	36"	40"	44"	48"	52"	57"	62"	67"	72"	82"	92"	102"
42"	95	100	107	113	119	128	139	149	159	179	189	203	215	241	266	346
48"	100	107	120	124	132	141	151	163	169	197	211	220	238	266	292	373
54"	105	119	126	134	143	153	166	175	187	213	228	241	257	292	321	398
60"	117	123	132	139	151	166	179	192	204	228	245	261	278	313	346	425
66"	123	134	144	151	165	178	187	204	217	245	261	281	300	336	373	451
72"	131	141	155	164	175	187	204	217	249	261	284	301	321	362	398	478
78"	135	148	160	173	184	203	217	234	265	278	299	321	338	385	425	549
84"	146	157	168	132	197	213	232	245	278	297	319	338	362	407	451	621
90"	153	164	179	195	207	228	244	261	292	311	336	357	381	432	478	693
96"	158	175	189	209	227	249	268	291	327	347	374	397	424	479	549	764
102"	164	186	202	224	242	273	296	321	364	386	413	438	465	528	621	836
108"	169	199	214	240	258	296	321	353	401	424	453	478	507	577	693	907
114"	176	211	225	256	274	318	347	383	439	462	493	518	549	626	764	1027
120"	181	222	238	289	289	341	368	415	476	500	532	559	591	675	836	1146
126"	187	234	249	286	305	363	400	445	513	539	571	599	633	723	907	1266

Multiple Blinds On One Headrail Recommended for sizes to the right of this heavy line.

STANDARD OPTIONS:

Matching 2-Slat Valance Standard *No Charge*
 Cord Tilt Standard, Wand Tilt, if specified *No Charge*
 Hold Down or Extension Brackets, if specified ... *No Charge*

SURCHARGE OPTIONS: (*Net Charge*)

Two Blinds on One Headrail *Add \$24*
 Three Blinds on One Headrail *Add \$50*
 Striping *Add per color per blind 15%*
 Side Cut-Outs *Add per cut-out \$24*
 Matching Cloth Tape Surcharge *Add upcharge of 20%*

**FACTORY ALLOWANCES
 & DEDUCTIONS:**

+ or - 1/8" variance	INSIDE MOUNT	OUTSIDE MOUNT
Headrail	Less 1/2"	Ordered Size
Slats	Less 1/2"	Ordered Size
Valance	Less 1/8"	Plus 1 1/2"

SPECIFICATIONS:

Minimum Width (*outside mount*) 14"
Recommended Maximum Width (*single blind*) 72"
 (*Over 72", two or three blinds on one headrail is recommended.*)
 Maximum Width (*outside mount*) (*multiple blinds*) 102"
 Minimum Length 6"
 Maximum Length 126"
 Minimum Mounting Space 1 1/8"
 Flush Mounting Space Required 3"
 Outside Mount Flat Space Required 2 1/4"
 Outside Valance Returns 2 7/8"
 Average Weight per Blind (*approx*) ... *per square foot 1.2 lbs.*
 Blinds with widths less than 22" must have split controls.

**1 1/2" CLOTH TAPE
 COLORS**

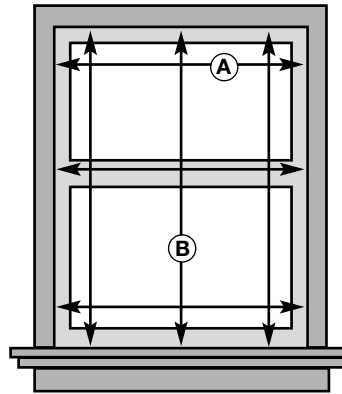
100 White	823 Silver
113 Duck	627 Province Blue
322 Light Beige	685 Midnight Blue
323 Dark Beige	293 Bordeaux
302 Taupe	378 Cocoa
430 Wheat	572 Forest
334 Pecan	897 Black
503 Celadon	

MEASURING GUIDELINES

Accurate measurements are essential, for both correct pricing and proper fit. Use only a hard-edged ruler or steel tape, never a cloth tape. For inside mounts, width measurements should be rounded down to the nearest 1/8" to prevent blind from binding against the window casing.

INSIDE MOUNTING (IB)

- For **width (A)**, measure across the window casing from one inside edge to the other in three places, top, middle, and bottom. Record the smallest width rounded down to the nearest 1/8".
- For **Length (B)**, measure the inside area from the top inside edge down to the top of the sill in three places, left, middle and right. Record the shortest length rounded up to the nearest 1/8".
- The factory will make all the necessary deductions for inside mount.

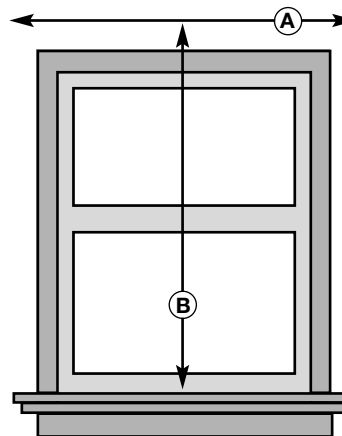


INSIDE BRACKET MOUNTING REQUIREMENTS:

- Minimum Depth of Mounting Surface Required: 1 1/8"
- Minimum Depth Required for Flush Mount: 3"

OUTSIDE MOUNTING (OB)

- For **width (A)**, measure from one edge of the casing to the other, then add a minimum of 4" (2" each side), for blind overlap. Record the measurement rounded up to the nearest 1/8".
- For **Length (B)**, measure from the top of the window sill up to the desired top of the blind. Again, record the measurements rounded up to the nearest 1/8".
- Outside mounted blinds are fabricated to order dimensions.

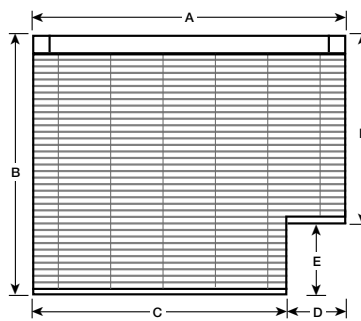


OUTSIDE BRACKET MOUNTING REQUIREMENTS:

- Minimum Mounting Surface Required: 2 1/4" x 1"
- Minimum Mounting Surface Required when using an Extension Bracket: 1 1/8" x 1 5/16"

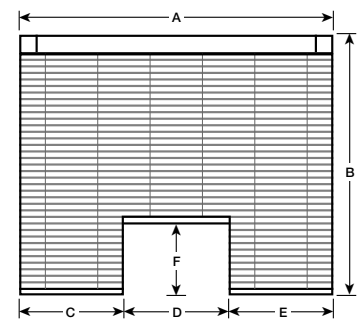
CUT-OUTS:

Cut-out blinds have rectangular areas removed from the blind to avoid obstructions (such as an air-conditioner). Cut-outs may be either from one of the bottom corners or from the bottom middle of the blind. While a template is not required, when ordering a cut-out blind, a diagram of the blind with all dimensions noted must be included.



SIDE CUT-OUT:

- A - Overall Width of Blind D - Width of Cut-Out
 B - Overall Length of Blind E - Height of Cut-Out
 C - Bottom Width of Blind F - Length of Shorter Side



CENTER CUT-OUT:

- A - Overall Width of Blind D - Width of Cut-Out
 B - Overall Length of Blind E - Bottom Right Side
 C - Bottom Left Side F - Height of Cut-Out



The Vinyl Horizontal Blinds Collection

Premium 2-Inch Vinyl

CARE & CLEANING

ROUTINE CLEANING

Our 2" Premium PVC horizontal blinds are easy to care for. Occasional dusting with a feather duster or low suction vacuuming with a brush attachment is all that is needed to keep these blinds looking like new. They may also be gently cleaned with a soft cloth using an over-the-counter blind cleaner.

MORE THOROUGH CLEANING

Our 2" PVC horizontal blinds may be taken down and dipped in the bathtub using a mild detergent.

WARRANTY

LIFETIME LIMITED WARRANTY

Our 2-inch Premium PVC horizontal blinds carry a lifetime limited warranty that covers the blinds for as long as the original retail purchaser owns them, provided that the blinds were properly installed. It's the customer's assurance of satisfaction and quality.

